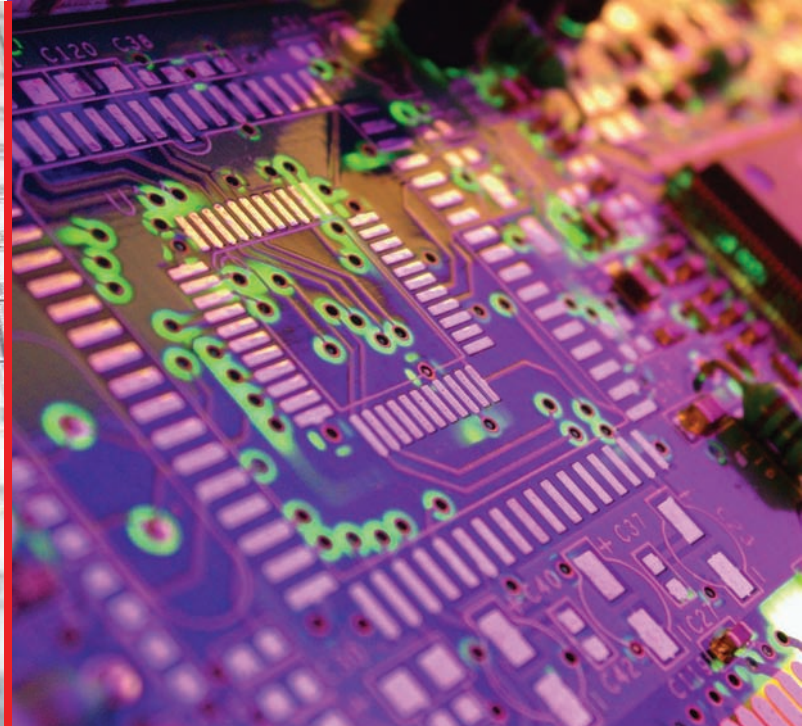


LFG-GENERATOR

500W



Remote-Plug

Pin	Description	I/O	A/D
1	GND		
2	External Set Value in case Pin 7 = high	I	A
3	Overheat	O	D
4	Actual value	O	A
5	Device active		
6	24V AC, 50mA _{max}	O	D
7	Device active	I	D
8	External clearance	O	A
9	Set value output		
10	Control option (see next page)	I	D
11	Cotrol option (see next page)	I	D
12	Burstmode, pulse length, in case Pin7 = high 0..2,5V AC: Burst off 2,5..10V AC: Pulse length log/lin	I	A
13	Burstmode, pulse length, i case Pin7 = high 0..1V AC: Error 1..10V AC: Pause time log/lin	I	A
14	Load error: set point cannot be attained or idle running/short	O	D
15	System error: microcontroller Device automatically deactivated or Error internal supply voltage in all cases on/off necessary	O	D
16	Parallel mode: Master	I	D
17	Parallel mode: Slave	I	D
18-25	GND, 25=Remote mode active		

analog: 0...10V, 1/10mA(E/A), **digital:** low = 0...4V, high = 20...24V, 5/50mA(E/A)

LFG-GENERATOR

500W

- Max. Output Power: 500W
- Max. Output Current: 1,3A
- Max. Output Voltage: 1200VAC
- Max. power consumption: 560W
- Mains input: 210...230VAC 50/60Hz
- Input current: max 2,6 Arms
- Efficiency: > 90% (at nominal power)
- Power Adjustment modes:
Current mode: 0,1A - 1,3A
Power mode: 10W - 500W
(via DSUB or PC connection only)
Burst mode:
- Pulse-Width: 100µs - 100ms
- Pulse-Delay: 100µs - 100ms
- Accuracy: better than ±5% of final value
- Load mismatch protection agains open output and short circuit
- turn off time at short cut/open load: < 1 sec
- turn off time at adjustment error: < 5 sec
- Synchronised parallel operation mode
- Operation temperature range: +15 - +40°C
- Cooling: max. 70 m³/h air flow rate (temperature controlled)
- Interfaces:
- DSUB25 (female) for remote operation by industrial system control units (24/10V voltage levels)
- Weight: 5,6kg

Applications:

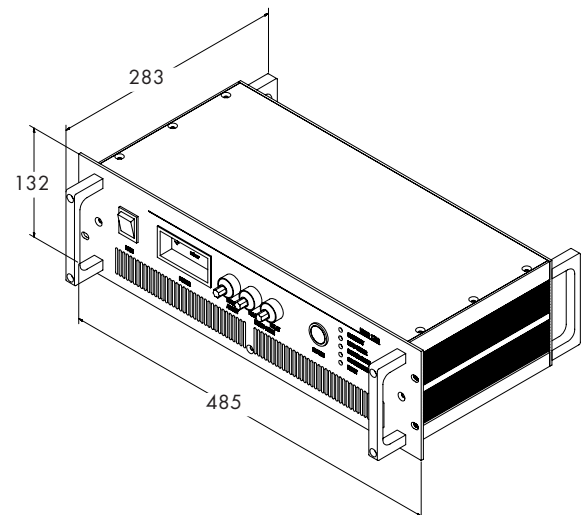
- Low pressure plasma generation



front view

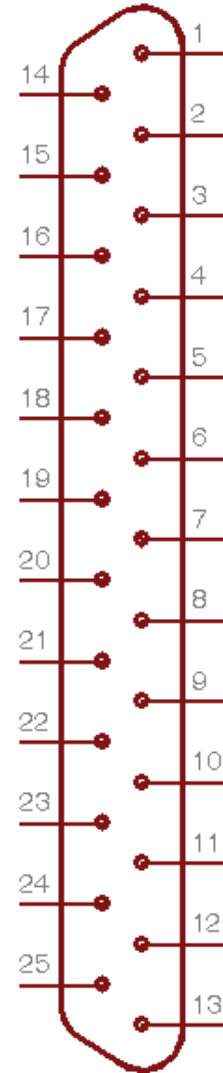


rear view



Remote-Plug

Pin	Description	I/O	A/D
1	GND		
2	External Set Value in case Pin 7 = high	I	A
3	Overheat	O	D
4	Actual value	O	A
5	Device active		
6	24V AC, 50mA _{max}	O	D
7	Device active	I	D
8	External clearance	O	A
9	Set value output		
10	Control option (see next page)	I	D
11	Cotrol option (see next page)	I	D
12	Burstmode, pulse length, in case Pin7 = high 0..2,5V AC: Burst off 2,5..10V AC: Pulse length log/lin	I	A
13	Burstmode, pulse length, in case Pin7 = high 0..1V AC: Error 1..10V AC: Pause time log/lin	I	A
14	Load error: set point cannot be attained or idle running/short	O	D
15	System error: microcontroller Device automatically deactivated or Error internal supply voltage in all cases on/ off necessary	O	D
16	Parallel mode: Master	I	D
17	Parallel mode: Slave	I	D
18-25	GND, 25=Remote mode active		



analog: 0...10V, 1/10mA(E/A), **digital:** low = 0...4V, high = 20...24V, 5/10mA(E/A)

Remote-Plug

